

ACO Grease separator Lipumax P-B – Basic model

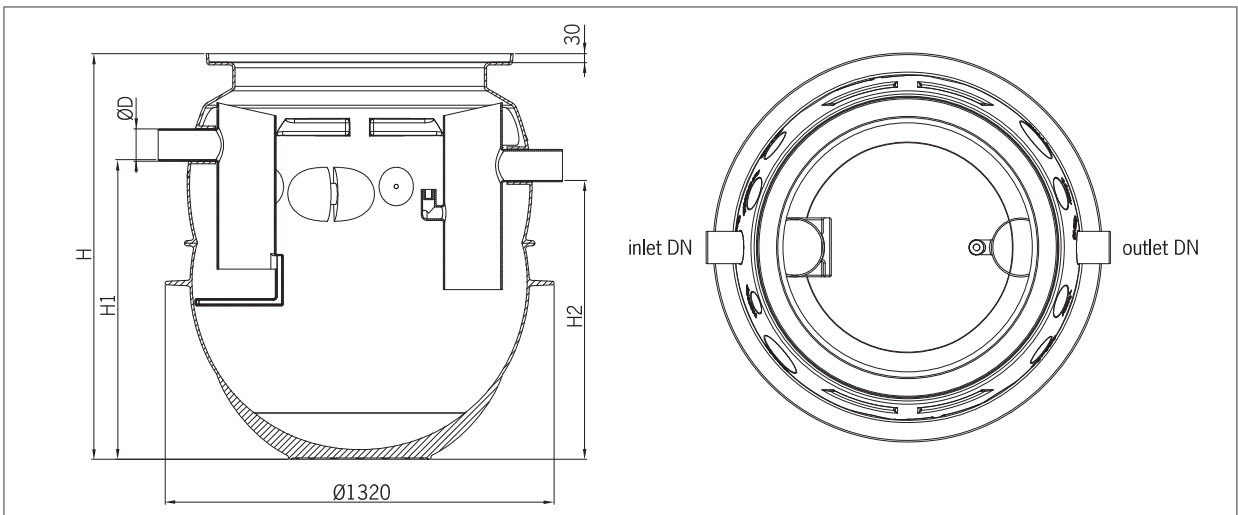


Grease separator of polyethylene for below ground installation

- according to EN 1825 and DIN 4040-100
- certificate
 - 7310374-01a (NS 2, NS 4)
 - 7310372-01 (NS 5,5)
 - 7310372-02 (NS 7)
 - 7311241-01 (NS 8.5, NS 10)
- inlet and outlet connection according to outside diameter D depending on nominal size of separator
- disposal and cleaning via cover

Installation example shows ACO Lipumax P-B NS 4 with a top section unit for load class B 125

Lipumax P-B – Order data

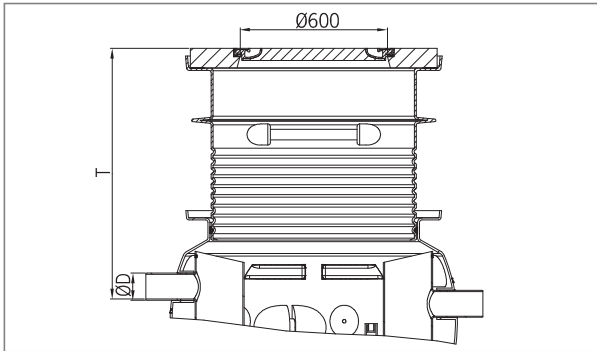


Accessories

- sampling pots and extension elements, page 16
- grease level sensor, page 16

Nominal size	Nominal width	Volume sludge trap [l]	Volume grease storage [l]	Total capacity [l]	D [mm]	H [mm]	H1 [mm]	H2 [mm]	Weight [kg]	Article No.
NS 2	DN 100	245	270	720	110	1377	1015	945	63	3202.80.00
NS 2	DN 100	460	270	930	110	1594	1235	1165	79	3202.80.10
NS 4	DN 100	460	270	930	110	1594	1235	1165	79	3204.80.00
NS 4	DN 100	980	270	1465	110	2129	1745	1675	89	3204.80.10
NS 5.5	DN 150	570	230	1465	160	2129	1745	1675	93	3205.80.00
NS 5.5	DN 150	1065	230	1960	160	2611	2226	2156	108	3205.80.10
NS 7	DN 150	730	285	1675	160	2346	1960	1890	108	3207.80.00
NS 8.5	DN 150	860	360	1900	160	2558	2172	2102	115	3208.80.00
NS 10	DN 150	1010	415	2170	160	2828	2443	2373	125	3210.80.00

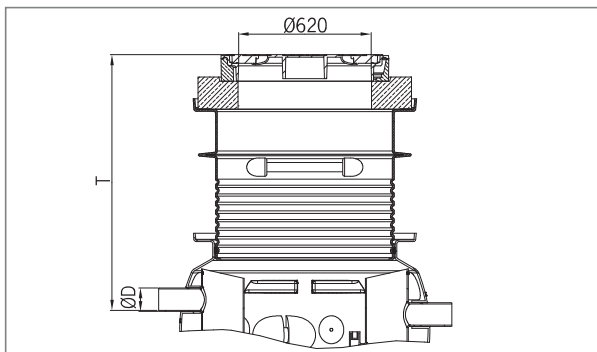
Top section load class A 15 – Order data



- load class A 15 according to EN 124
- frame from concrete, cover from cast iron
- clear opening Ø 600 mm
- cover odour proof sealed
- raising tube from polyethylene (only included with top section 3300.14.01 and 3300.14.02)

	NS 2 ST 200	NS 2 ST 400	NS 4 ST 400	NS 4 ST 800	NS 5.5 ST 550	NS 5.5 ST 1100	NS 7 ST 700	NS 8.5 ST 850	NS 10 ST 1000	Weight [kg]	Article No.
T [mm]	420	420	420	420	445	445	445	445	445	145	3300.14.00
	720-1020	720-1020	720-1020	720-1020	745-1045	745-1045	745-1045	745-1045	745-1045	170	3300.14.01
	720-1985	720-1765	720-1985	720-1830	745-1855	745-1370	745-1640	745-1430	745-1160	193	3300.14.02

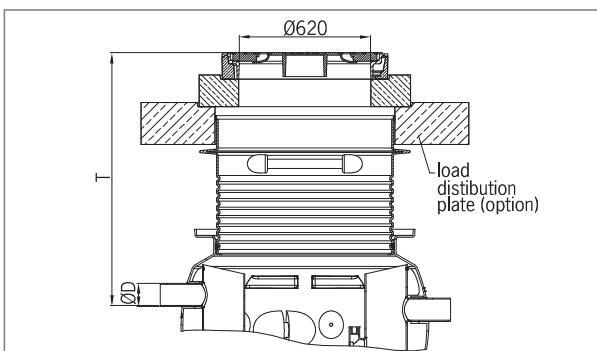
Top section load class B 125 – Order data



- load class B 125 according to EN 124
- frame from concrete, cover from cast iron
- clear opening Ø 600 mm
- cover odour proof sealed
- adapter plate from concrete Ø 1000 mm x 150 mm
- raising tube from polyethylene (only included with top section 3300.15.01 and 3300.15.02)

	NS 2 ST 200	NS 2 ST 400	NS 4 ST 400	NS 4 ST 800	NS 5.5 ST 550	NS 5.5 ST 1100	NS 7 ST 700	NS 8.5 ST 850	NS 10 ST 1000	Weight [kg]	Article No.
T [mm]	585	585	585	585	610	610	610	610	610	282	3300.15.00
	885-1195	885-1195	885-1195	885-1195	910-1220	910-1220	910-1220	910-1220	910-1220	307	3300.15.01
	885-1985	885-1765	885-1985	885-1830	910-1855	910-1370	910-1640	910-1430	910-1160	330	3300.15.02

Top section load class D 400 – Order data



- load class D 400 according to EN 124
- frame from concrete, cover from cast iron
- clear opening Ø 600 mm
- cover odour proof sealed
- adapter plate from concrete Ø 1000 mm x 150 mm
- raising tube from polyethylene
- selectively with load distribution plate from concrete Ø 1500 mm x 200 mm

	NS 2 ST 200	NS 2 ST 400	NS 4 ST 400	NS 4 ST 800	NS 5.5 ST 550	NS 5.5 ST 1100	NS 7 ST 700	NS 8.5 ST 850	NS 10 ST 1000	Weight [kg]	Article No.
T [mm] without load distribution plate	865-1985	865-1765	865-1765	865-1830	890-1855	890-1370	890-1640	890-1370	890-1370	330	3300.17.00
T [mm] with load distribution plate	865-1985	865-1765	865-1765	865-1830	890-1855	890-1370	890-1640	890-1370	890-1370	1030	3300.16.00